

- **Powerful**

Its kinematic principle (Tranchero Patent) allows an almost 2,5m vertical lifting with a load of two tons.

- **Precise**

2 speeds (fast/slow) for each movement (forward/reverse, lifting, telescoping).

- **Sturdy**

The main jack is included in the structure and the telescope jack is completely integrated into the jib.

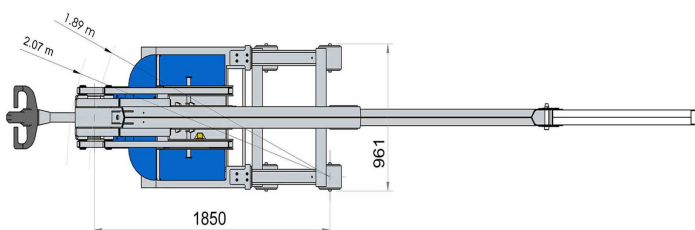
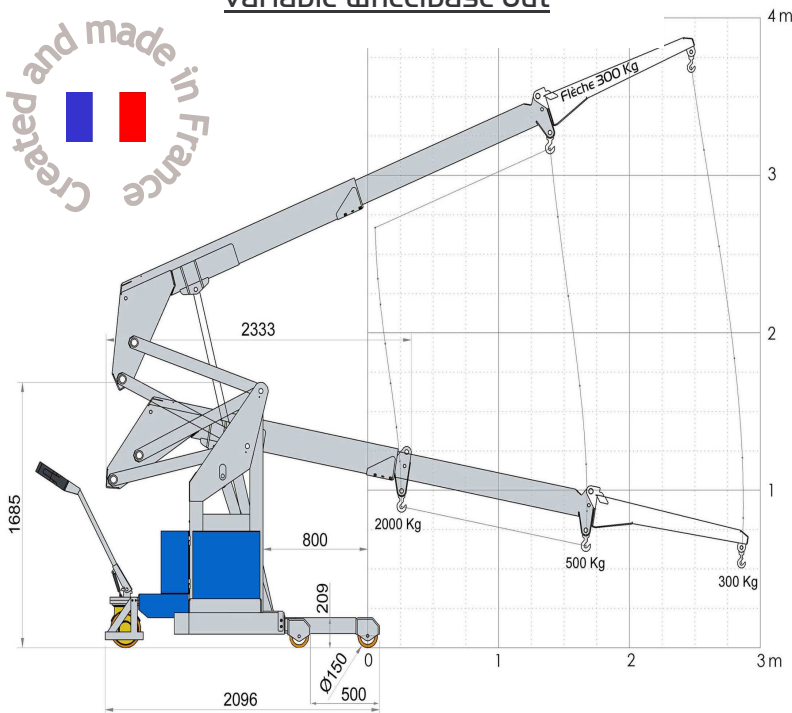
- **Non polluting and self-sufficient**

Thanks to its 24V traction batteries and its integrated charger.



Hydraulic variable wheelbase

Load diagram valid only with the variable wheelbase out



Technical specifications

Maxi load	2000 kg
Weight (crane unloaded).....	1200 kg
Admissible slope(crane unloaded).....	2 %
Maxi translation speed	3 km/h
Lifting speed adjustable from 0 to	15 cm/s
Telescoping speed adjustable from 0 to	13 cm/s
Batteries	24V - 240 Ah
Hydraulic power station engine	2,2 kW
Translation engine	0,6 kW

Series equipments

- Hydraulic variable wheelbase
- Electrical traction
- Automatic braking system
- Automatic parking brake
- Anti-tilt system
- 2 axes wired remote control (lifting and telescoping)

Main options

- Additional jib 300 kg
- Wireless remote control