

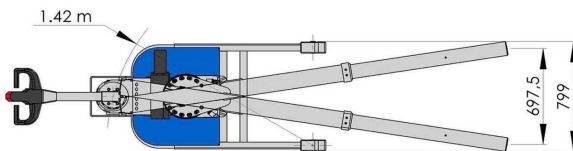
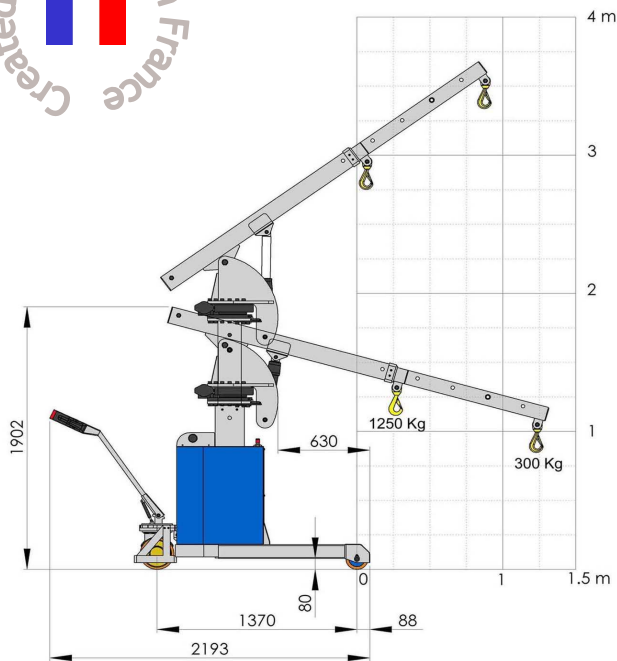
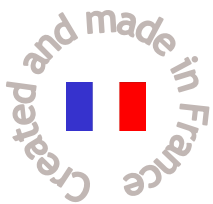
A sturdy conception for an industrial use  
 Transportable on a trailer towed by a small truck,  
 van or even a passenger car (subject to state  
 traffic regulations of towed loads)

**Ultra compact**

**Precise**

**Easily steered**

**Silent**



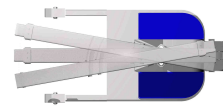
Standard electro-hydraulic boom angling



Optional hydraulic vertical mast



Optional hydraulic telescope



Optional mast rotation (18°)



Optional electric traction

### Technical specifications

Maxi load .....	1250 kg
Unladen weight .....	1000 kg
Batteries .....	24V - 180 Ah
Hydraulic power station engine .....	2,2 kW
Translation engine.....	0,6 kW

### Series equipments

- Anti-tilt system
- Standard electro-hydraulic boom angling
- Wired remote control
- Anti-fall valve
- Hourmeter and battery charge indicator