

- **Powerful**

Its kinematic principle (Tranchero Patent) allows an almost 2,5m vertical lifting with a load of two tons.

- **Precise**

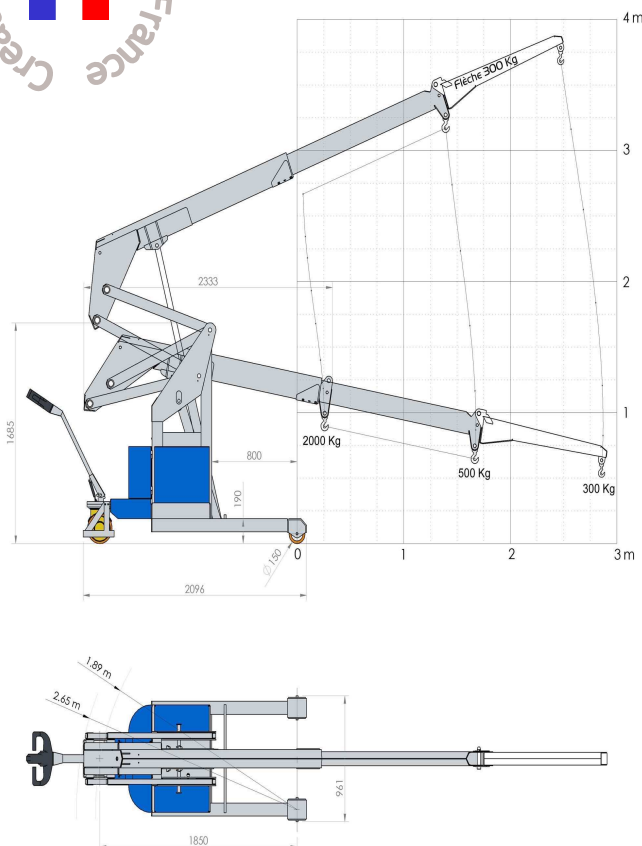
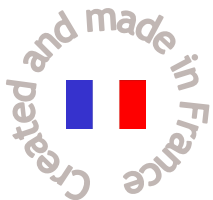
2 speeds (fast/slow) for each movement (forward/reverse, lifting, telescoping).

- **Sturdy**

The main jack is included in the structure and the telescope jack is completely integrated into the jib.

- **Non polluting and self-sufficient**

Thanks to its 24V traction batteries and its integrated charger.



Technical specifications

Maxi load	2000 kg
Weight (crane unloaded).....	1200 kg
Admissible slope(crane unloaded).....	2 %
Maxi translation speed	3 km/h
Lifting speed adjustable from 0 to	15 cm/s
Telescoping speed adjustable from 0 to	13 cm/s
Batteries	24V – 240 Ah
Hydraulic power station engine	2,2 kW
Translation engine	0,6 kW

Series equipments

Electrical traction
 Automatic braking system
 Automatic parking brake
 Anti-tipping system
 2 axes wired remote control (lifting and telescoping)

Main options

Additional jib 300 kg
 Wireless remote control