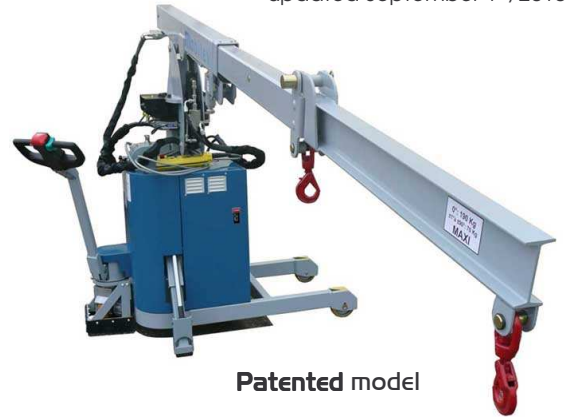
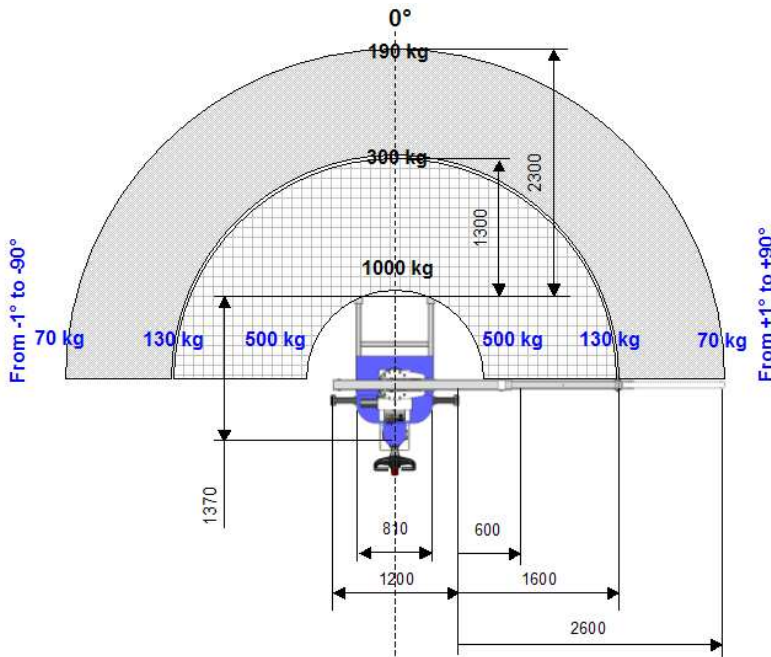


Technical sheet I2MO Evolutive S180 v2

Self propelled mini-crane with accompanying operator

updated September 1st, 2010



Technical specifications

Maximal load	1000 kg
Unladen weight	1100 kg
Traction batteries	24V – 180 Ah
Hydraulic power station engine	2 kW
Translation power engine	0,6 kW

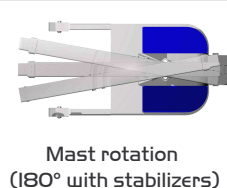
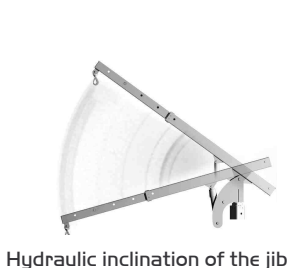
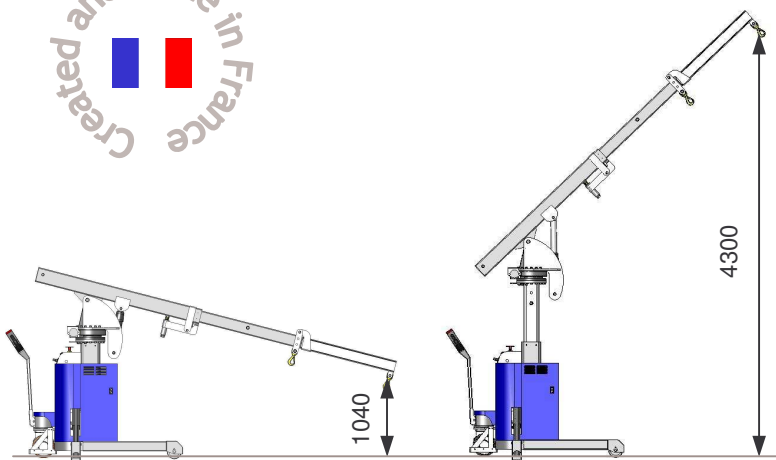
Series equipments

- Hydraulics stabilizers
- Hydraulic rotary mast 180°
- Hydraulic inclination of the jib by double acting jack
- Hydraulic vertical mast stroke 600mm
- Hydraulic telescope
- Electric traction with variable speed drive
- Tiller with accelerator and Emergency Reverse
- 4 axes wired remote control with emergency stop
- Hour meter and battery charge indicator
- Vulkollan coating wheels or equivalent
- Hydraulic & electric safety devices
- Anti-tilt system

Option

- Additional jib length 1 meter

Created and made in France

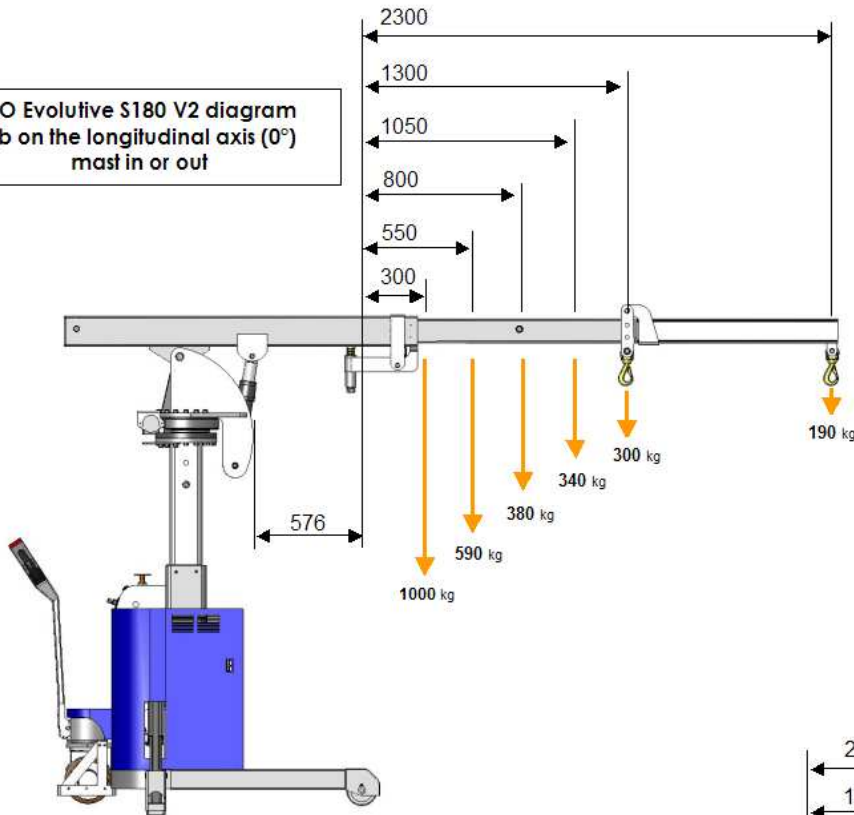


Technical sheet I2MO Evolutive S180 v2

Self propelled mini-crane with accompanying operator

updated September 1st, 2010

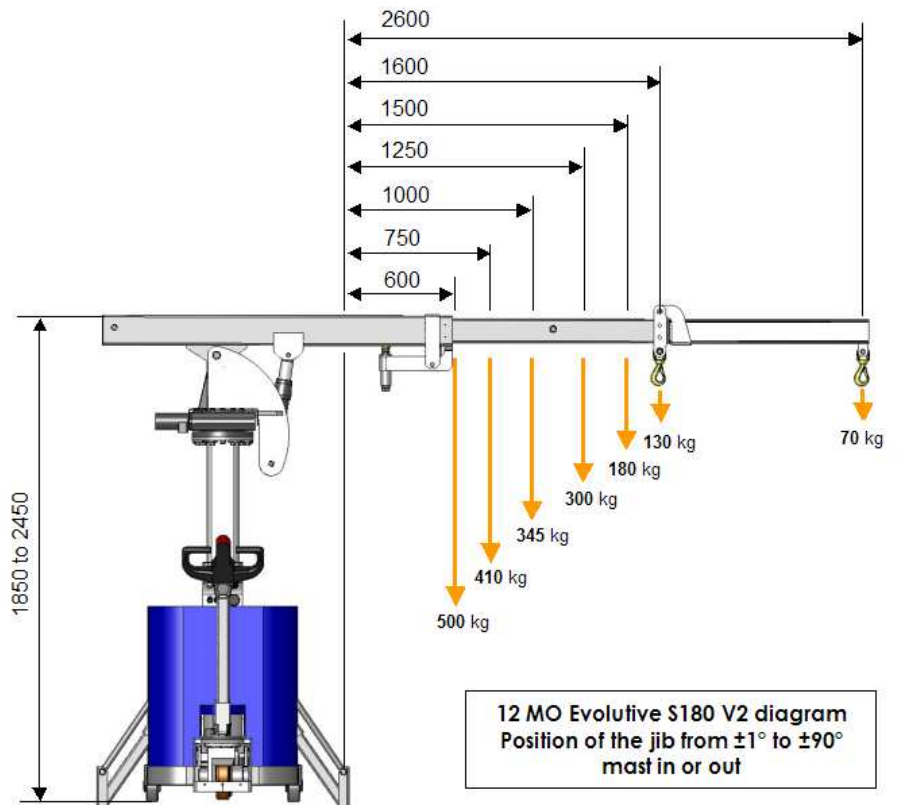
12 MO Evolutive S180 V2 diagram
Jib on the longitudinal axis (0°)
mast in or out



This mini-crane has won the Artinov
Innovation price



4 axes wired remote control



12 MO Evolutive S180 V2 diagram
Position of the jib from $\pm 1^\circ$ to $\pm 90^\circ$
mast in or out